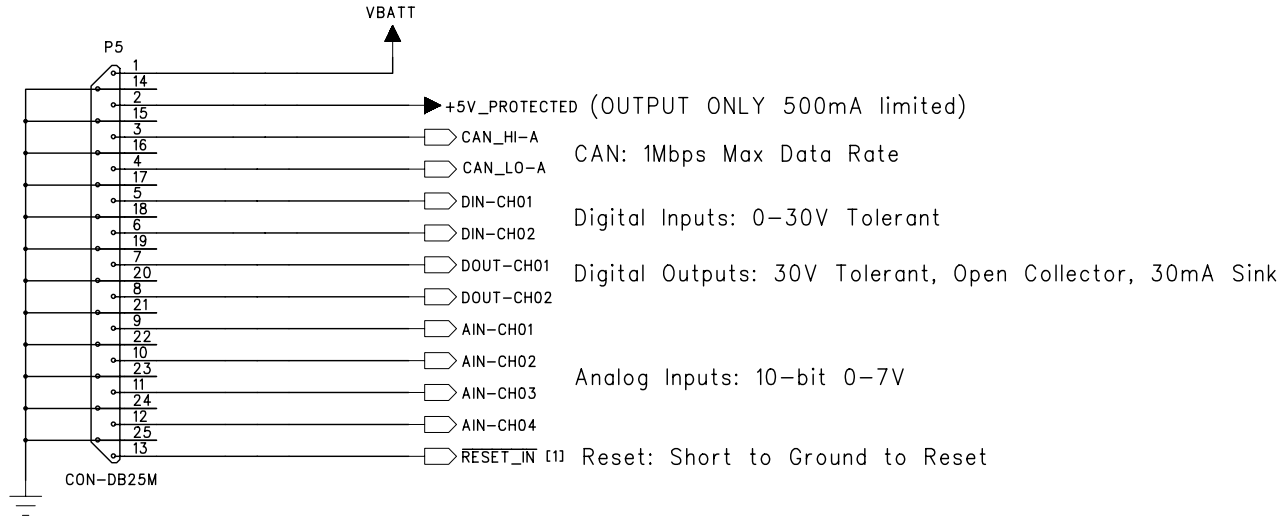
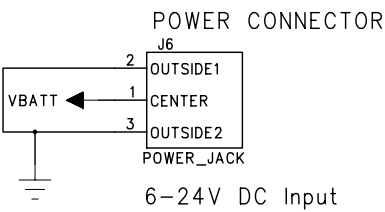
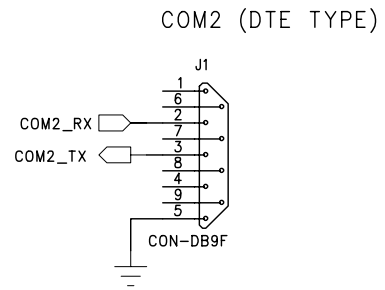
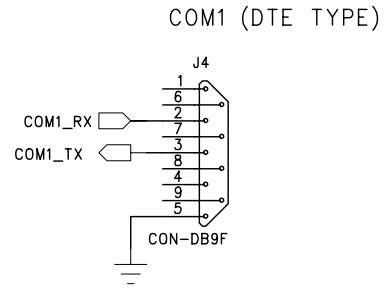
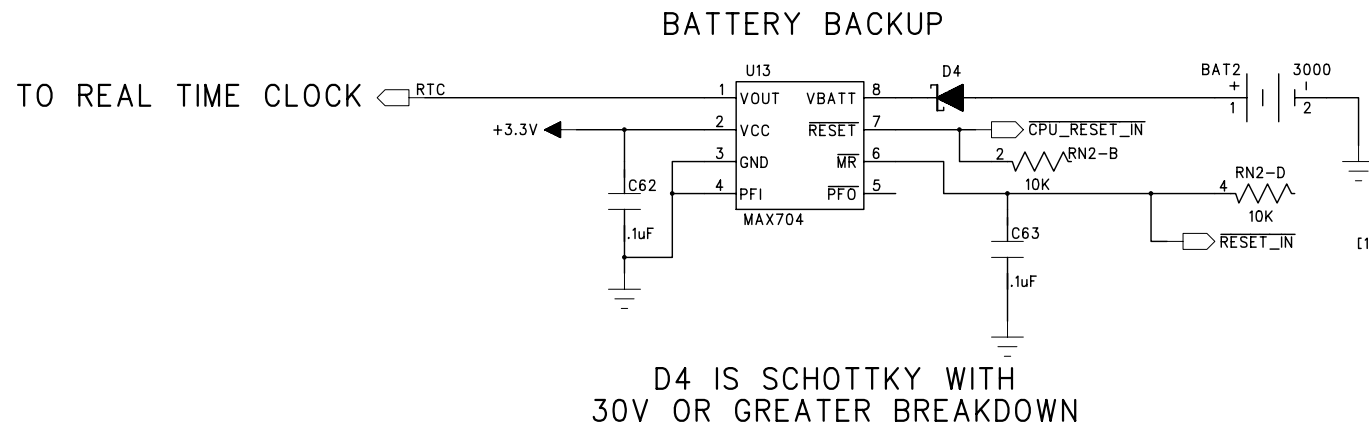


RLC MICROPOD_VII USER SCHEMATICS



MINIMUM 500mA AT 24VDC

NOTE: At input voltages between 14.5 and 24VDC, voltage must be ramped up at a maximum rate of 1V/mS. Voltages outside this specification will void the warranty.



COMPANY: RLC ENTERPRISES, INC.			
TITLE: XSCALE_GAUGE			
DRAWN: M. Warren	SIZE: 11x17	DRAWING NO: CONNECTORS	REV: 0
DATED: 2/16/2007		SHEET: 1 OF 1	