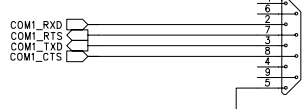
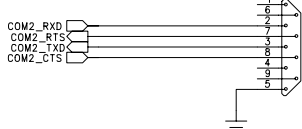


# RLC XSCALE EXTREME USER SCHEMATICS

## COM1 (DTE TYPE)

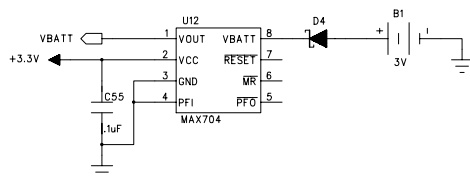


## COM2 (DTE TYPE)



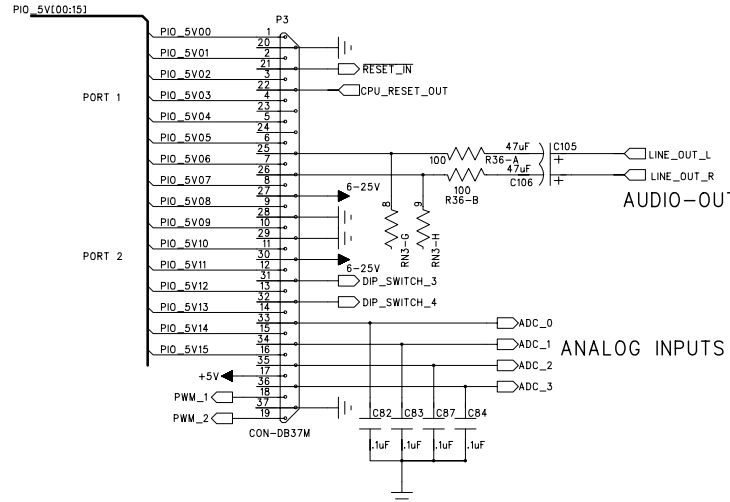
USE NULL TO CONNECT TO PC  
USE STRAIGHT TO CONNECT  
TO DCE DEVICES

## BATTERY BACKUP



D4 IS SCHOTTKY WITH  
30V OR GREATER BREAKDOWN

## I/O CONNECTOR (5VDC DIGITAL I/O)



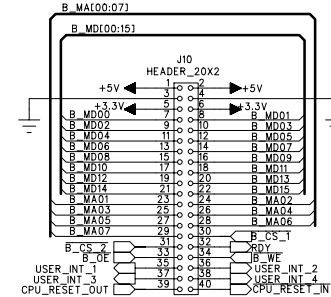
ANALOG INPUTS: 10BIT 0-7VDC  
DIGITAL PORT 1: PIO\_5V00-07  
DIGITAL PORT 2: PIO\_5V08-15  
EACH DIGITAL PORT CAN BE  
SET AS INPUT OR OUTPUT

## RESET-IN

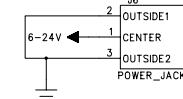


SHORT JP2 FOR  
HARDWARE RESET

## USER IO BUS CONNECTOR



## POWER CONNECTORS



MINIMUM 500mA AT 24VDC  
MINIMUM 1.5A AT 6VDC

NOTE: At input voltages between 14.5 and 24VDC, voltage must be ramped up at a maximum rate of 1V/mS. Voltages outside this specification will void the warranty.

Copyright 2005, All Rights Reserved.

COMPANY:		R.L.C. Enterprises, Inc. 2985 THEATRE DR. PASO ROBLES, CA 93446 (888) RLC-TECH	
TITLE:		RLC_XSCALE_EXTREME	
SIZE:	DRAWING NO:	BOARD INTERFACES	REV:
B			1
DATE: 08/26/05		SHEET: 1 OF 1	