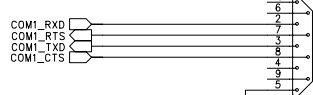


# RLC XSCALE LITE USER SCHEMATICS

COM1 (DTE TYPE)

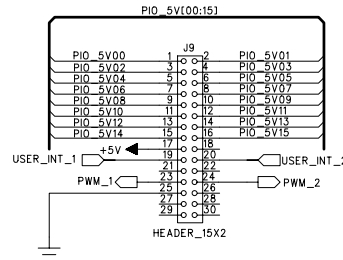


COM2 (DTE TYPE)



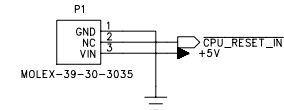
USE NULL TO CONNECT TO PC  
USE STRAIGHT TO CONNECT TO DCE DEVICES

I/O CONNECTOR  
(5VDC DIGITAL I/O)



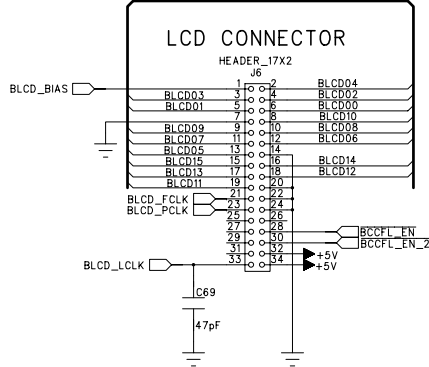
PORT 1: PIO\_5V00-07  
PORT 2: PIO\_5V08-15  
EACH PORT CAN BE SET AS INPUT OR OUTPUT

POWER CONNECTOR

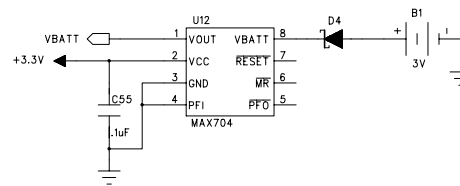


5V DC INPUT ONLY  
MINIMUM 500mA W/O LCD  
MINIMUM 3A WITH LCD

BLCD[00:15]



BATTERY BACKUP



D4 IS SCHOTTKY WITH 30V OR GREATER BREAKDOWN

RESET-IN



SHORT JP2 FOR HARDWARE RESET

Copyright 2005, All Rights Reserved.

COMPANY:		R.L.C. Enterprises, Inc. 2985 THEATRE DR. PASO ROBLES, CA 93446 (888) RLC-TECH
TITLE:		RLC_XSCALE_LITE
SIZE: DRAWING NO:	BOARD INTERFACES	REV: 0
DATE: 06/23/05	SHEET: 1 OF 1	