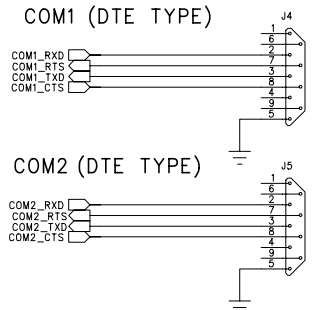
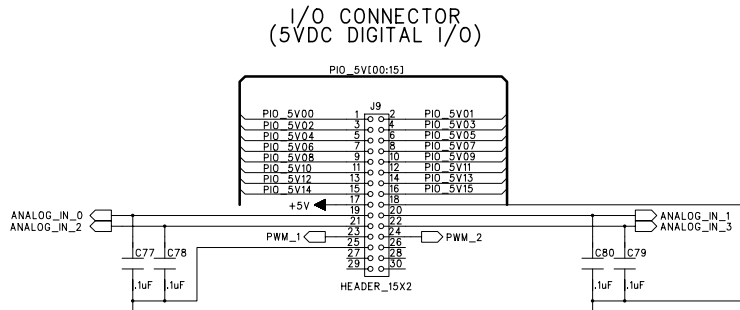


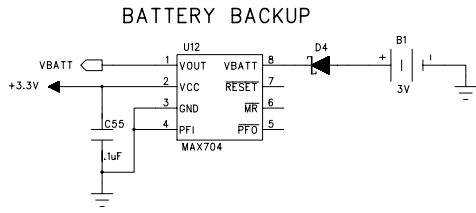
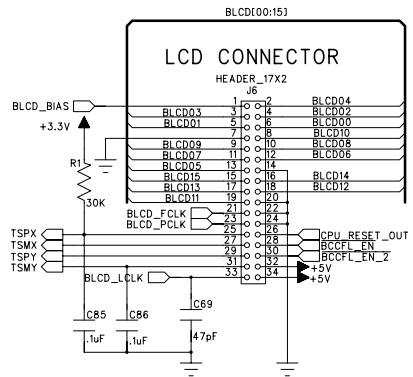
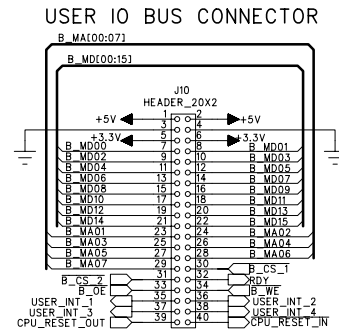
RLC XSCALE MINI USER SCHEMATICS



USE NULL TO CONNECT TO PC
USE STRAIGHT TO CONNECT TO DCE DEVICES



ANALOG INPUTS: 10BIT 0-7VDC
DIGITAL PORT 1: PIO_5V00-07
DIGITAL PORT 2: PIO_5V08-15
EACH DIGITAL PORT CAN BE SET AS INPUT OR OUTPUT



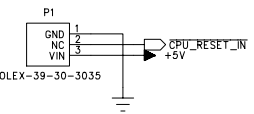
D4 IS SCHOTTKY WITH 30V OR GREATER BREAKDOWN

RESET-IN



SHORT JP2 FOR HARDWARE RESET

POWER CONNECTOR



5V DC INPUT ONLY
MINIMUM 500mA W/O LCD
MINIMUM 3A WITH LCD

Copyright 2005, All Rights Reserved.

COMPANY:		R.L.C. Enterprises, Inc. 2985 THEATRE DR. PASO ROBLES, CA 93446 (888) RLC-TECH	
TITLE:		RLC_XSCALE_MINI	
SIZE: DRAWING NO:	BOARD INTERFACES		REV: 1
DATE: 06/23/05	SHEET: 1 OF 1		