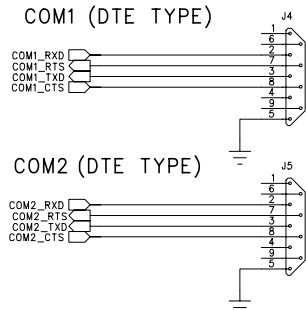
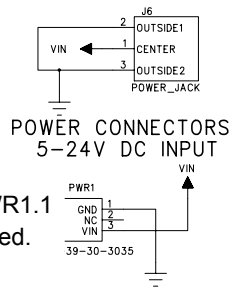


RLC XSCALE MAGNUM USER SCHEMATICS



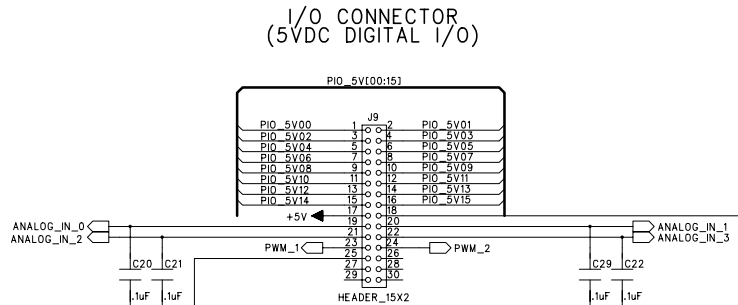
USE NULL TO CONNECT TO PC
USE STRAIGHT TO CONNECT TO DCE DEVICES



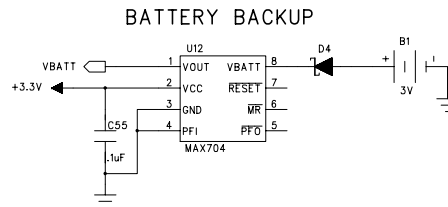
NOTE: PWR1.1 not grounded.

MINIMUM 750mA AT 24VDC
MINIMUM 3A AT 5VDC

NOTE: At input voltages between 14.5 and 24VDC, voltage must be ramped up at a maximum rate of 1V/mS. Voltages outside this specification will void the warranty.

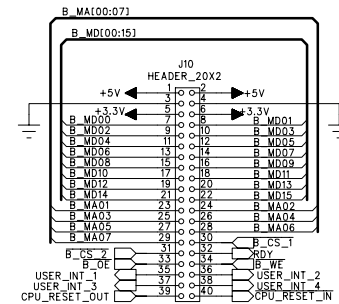


ANALOG INPUTS: 10BIT 0-7VDC
DIGITAL PORT 1: PIO_5V00-07
DIGITAL PORT 2: PIO_5V08-15
EACH DIGITAL PORT CAN BE SET AS INPUT OR OUTPUT

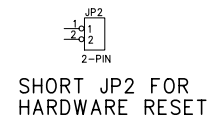


D4 IS SCHOTTKY WITH 30V OR GREATER BREAKDOWN

USER IO BUS CONNECTOR



RESET-IN



Copyright 2005, All Rights Reserved.

COMPANY:	R.L.C. Enterprises, Inc. 2985 THEATRE DR. PASO ROBLES, CA 93446 (888) RLC-TECH
TITLE:	RLC_XSCALE_MAGNUM
SIZE: DRAWING NO:	BOARD INTERFACES
B	0
DATE: 08/26/05	SHEET: 1 OF 1